

## Edge Protection Seal Profiles

Materials **NBR / MVQ (Silicone)**, FDA Compliant

### SPECIFICATION

#### Types

- Type **A**: Upper seal profile
- Type **D**: Side seal profile

Clamping profile / seal profile

Acrylonitrile butadiene rubber **NBR**

- FDA compliant
- Blue, RAL 5012
- Clamping profile hardness  $70 \pm 5$  Shore A
- Seal profile hardness  $30 \pm 5$  Shore A
- Temperature resistant from  $-30$  °C to  $100$  °C

Clamping profile / seal profile

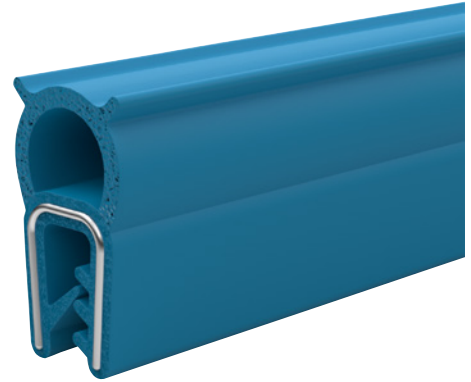
Silicone rubber **MVQ**

- FDA compliant
- Blue, RAL 5010
- Clamping profile hardness  $60 \pm 5$  Shore A
- Seal profile hardness  $60 \pm 5$  Shore A
- Temperature resistant from  $-50$  °C to  $200$  °C

Clamping insert

Stainless steel wire polyester clamping band

AISI 304



### INFORMATION

Edge protection seal profiles GN 2190 can be used to seal doors, covers and hatches. The profiles can be pushed onto the edges of metal sheets and plates by hand. The embedded clamping insert prevents it from detaching. Glue or other adhesives are not required.

Thanks to the use of FDA compliant materials, the profiles are suitable for applications with corresponding requirements. In addition to approval as per FDA 21 CFR 177.2600, the silicone version satisfies the guidelines of 3-A Sanitary Standard Inc. and DIN ISO 10993.

The profiles made of NBR are particularly suited for applications where they may come into contact with oils, greases, or similar fluids.

When installed, the profile should be compressed slightly by the adjacent components according to measurement  $w_2$ . This ensures an optimal seal. It is recommended to adhere to the placement radii ( $r_1$ ...  $r_4$ ) guidelines in order to ensure a tight and long lasting profile seal and to make assembly easier.

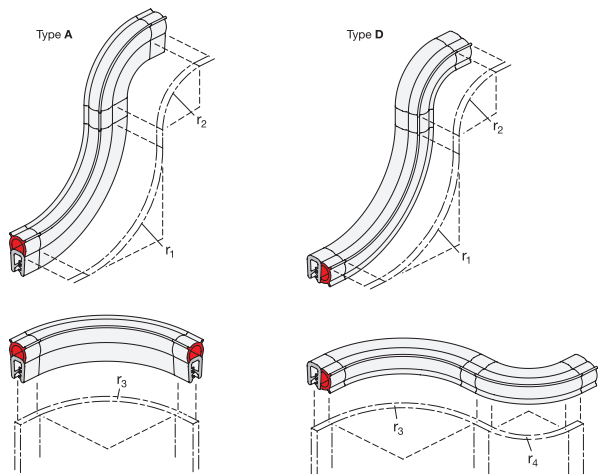
The seal profile made of NBR has venting holes on one side for production-related reasons (at a distance of about 2 m), which should be taken into account for design and installation.

### ON REQUEST

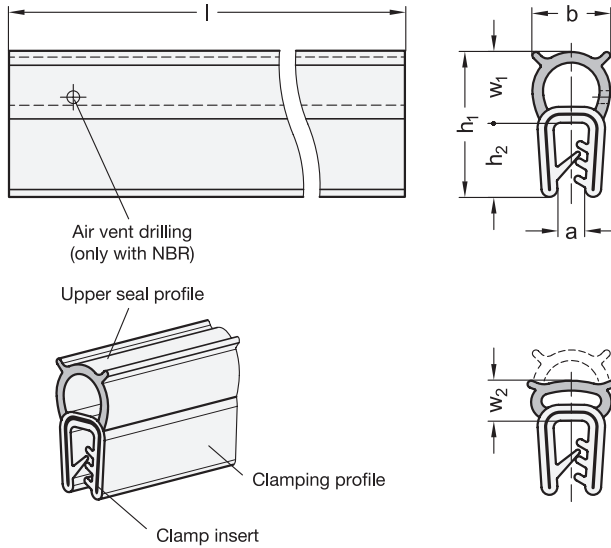
- Material MVQ in other colors

### TECHNICAL INFORMATION

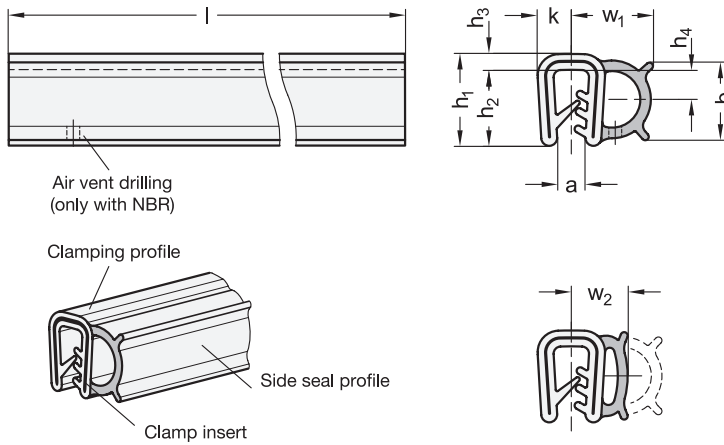
- Elastomer Characteristics (see page A32)
- Stainless Steel Characteristics (see page A26)



Type A



Type D



GN 2190-A

Description	h <sub>1</sub>	Length l in m	a	b	h <sub>2</sub>	r <sub>1</sub>	r <sub>2</sub>	r <sub>3</sub>	w <sub>1</sub>	w <sub>2</sub> At 50% of the permissible deformation	⚖
GN 2190-NBR-20,5-A-20	20.5	20	1 - 3.5	11	10.5	90	50	30	10	7	3200
GN 2190-MVQ-20,5-A-20	20.5	20	1 - 3.5	11	10.5	150	100	25	10	7	2400

GN 2190-D

Description	h <sub>1</sub>	Length l in m	a	b	h <sub>2</sub>	h <sub>3</sub>	h <sub>4</sub>	k	r <sub>1</sub>	r <sub>2</sub>	r <sub>3</sub>	r <sub>4</sub>	w <sub>1</sub>	w <sub>2</sub> At 50% of the permissible deformation	⚖
GN 2190-NBR-13-D-20	13	20	1 - 3.5	11	10.75	2.25	4.5	4.75	40	50	100	80	11.25	8.75	3200
GN 2190-MVQ-13-D-20	13	20	1 - 3.5	11	10.75	2.25	4.5	4.75	40	50	100	80	11.25	8.75	2400

